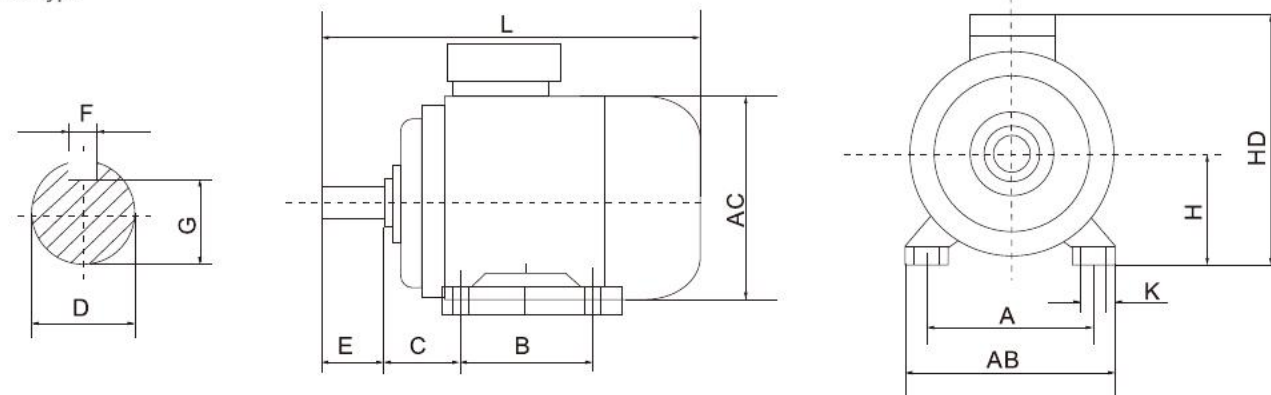


**FEATURES:**

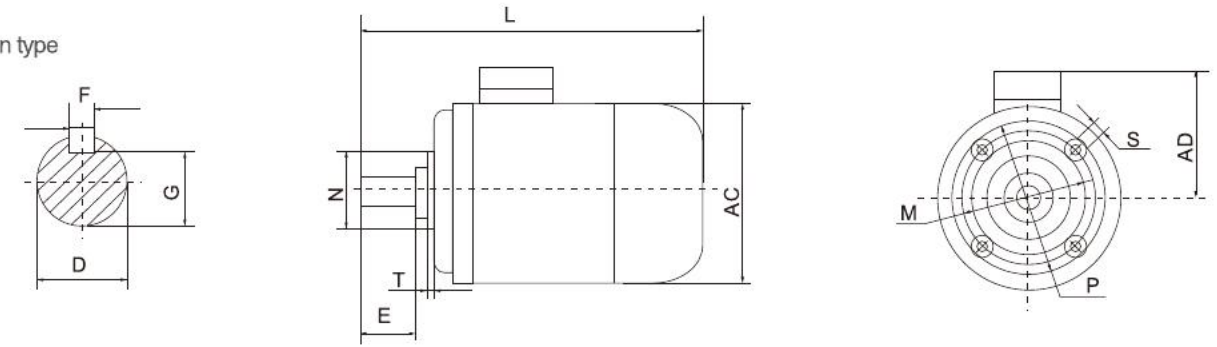
ML/MC series motor which adopting the latest design and high quality material. and conform to the IEC standard. The efficiency of motor meets EFF2 standard in Europe, and EFF1 standard if request. The motor has a lot of advantages including high efficiency, energy saving, low noise, little vibration, light weight, convenient operation and maintenance. The motor with removable feet is made of aluminum-alloy die casting, various mounting mode are available. The series motor are fit for the common sites and concise machines that has no special requirements including, air-compressor, pump fan medical apparatus and instruments, small machines, etc.

**MOUNTING INSTALLATION**

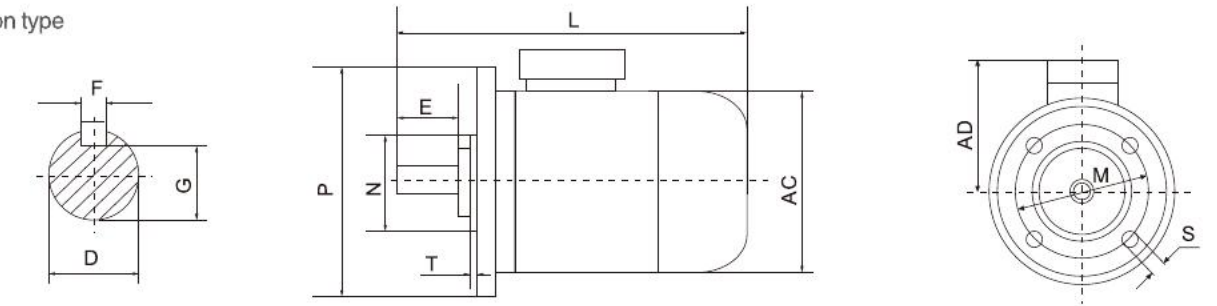
**B3**  
Installation type



**B14**  
Installation type



**B5**  
Installation type



**INSTALLATION SIZE AND OVERALL DIMENSION**

Frame Size	Mounting dimension (mm)									Mounting Dimension For B5 (mm)					Mounting Dimension For B14 (mm)					Overall Dimension (mm)				
	A	B	C	D	E	F	G	H	K	M	N	P	S	T	M	N	P	S	T	AB	AC	AD	HD	L
63	100	80	40	11	23	4	8.5	63	7	115	95	140	10	3	75	60	90	M5	2.5	130	130	125	180	230
71	112	90	45	14	30	5	11	71	7	130	110	160	10	3.5	85	70	105	M6	2.5	145	145	130	200	255
80	125	100	50	19	40	6	15.5	80	10	165	130	200	12	3.5	100	80	120	M6	3	160	160	160	240	295
90S	140	100	56	24	50	8	20	90	10	165	130	200	12	3.5	115	95	140	M8	3	180	180	175	260	335
90L	140	125	56	24	50	8	20	90	10	165	130	200	12	3.5	115	95	140	M8	3	180	180	275	260	360
100L	160	140	63	28	60	8	24	100	12	215	180	250	15	4	130	110	160	M8	3.5	205	205	200	280	390
112M	190	140	70	28	60	8	24	112	12	215	180	250	15	4	130	110	160	M8	3.5	245	245	210	300	410

**TECHNICAL DATA**

Type	Output		Voltage (V)	Current (A)	Speed (r/min)	Eff (%)	P.F. (cos)	Frequency (Hz)	Locked Current Tstart/Tn	Locked Torque Rated Torque Tst/Tn	Maximum Torque Rated Torque Tmax/Tn
	KW	HP									
ML/MC 711-2	0.37	0.5	220	2.46	2800	72	0.95	50	1.8	6.0	1.8
ML/MC 712-2	0.55	0.75	220	3.60	2800	73	0.95	50	1.8	6.0	1.8
ML/MC 801-2	0.75	1	220	4.85	2800	74	0.95	50	1.8	6.0	1.8
ML/MC 802-2	1.1	1.5	220	7.02	2800	75	0.95	50	1.8	6.0	1.8
ML/MC 90S-2	1.5	2	220	9.32	2830	77	0.95	50	1.8	6.0	1.8
ML/MC 90L-2	2.2	3	220	13.5	2830	78	0.95	50	1.8	6.0	1.8
ML/MC 100L-2	3	4	220	18.17	2870	79	0.95	50	1.8	6.0	1.8
ML/MC 711-4	0.25	0.34	220	1.79	1400	67	0.95	50	1.8	6.0	1.8
ML/MC 712-4	0.37	0.5	220	2.49	1400	71	0.95	50	1.8	6.0	1.8
ML/MC 801-4	0.55	0.75	220	3.65	1410	72	0.95	50	1.8	6.0	1.8
ML/MC 802-4	0.75	1.0	220	4.85	1410	74	0.95	50	1.8	6.0	1.8
ML/MC 90S-4	1.1	1.5	220	7.02	1430	75	0.95	50	1.8	6.0	1.8
ML/MC 90L-4	1.5	2	220	9.44	1430	76	0.95	50	1.8	6.0	1.8
ML/MC 100L1-4	2.2	3	220	13.5	1430	78	0.95	50	1.8	6.0	1.8
ML/MC 100L2-4	3	4	220	18.17	1430	79	0.95	50	1.8	6.0	1.8